

# Pipe Selector Diverter Valves

Sizes 50mm - 150mm



Made in Britain



[www.rotaval.co.uk](http://www.rotaval.co.uk)

**RotaVal**

Keeping the World's Industries Solidly in Control



ATEX 2014/34/EU  
Certified (Baseefa)

# 'Pipe Selector' Diverter Valves



Rota Val two and three-way 'Pipe Selector' Diverter valves have been developed to satisfy the needs of an ever more demanding market place, in particular the stringent requirements of the food and pharmaceutical industries, however they are also suitable for use in most other industries.

'Pipe Selector' Diverter valves are suitable for both lean and dense phase conveying systems (maximum 3 barg) and product temperatures between -10°C and +100°C. The cross sectional area of the pipe through the valve does not have any steps or ledges and this ensures smooth product transfer.

A unique feature of both the two and three-way 'Pipe Selector' Diverter valves is that the inflatable seals used to seal between the inner rotating pipe and the outer fixed pipe ends remain permanently inflated, this eliminates the need for special controls.

## PS Two-way and Three-way 'Pipe Selector' Diverter Valves

The PS Valve is a bolted assembly fabricated from 316L stainless steel and with aid of normal tools can be quickly dismantled for clean-down. The fabricated design allows superior surface finishes without the porosity problems often associated with castings. The compact design is manufactured from FDA compliant material and complies with USDA guidelines for the sanitary design and fabrication of dairy processing equipment.

The standard pipe ends are suitable for compression couplings; however dairy, quick-clamp couplings or flanges can also be fitted.

## Features and Options

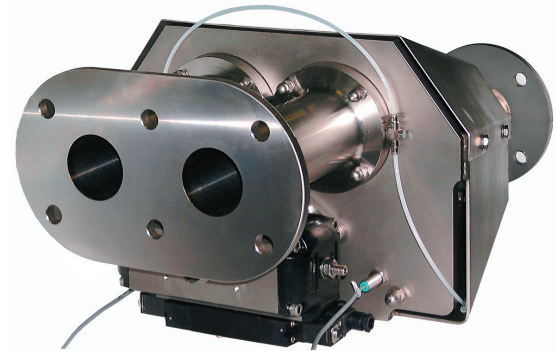
- Compact design
- FDA approved materials
- Low component weights
- Simple unique seal control – seals remain inflated and protected even during changeover
- Suitable for both lean and dense phase conveying systems
- Converging or diverging applications
- Choice of pipe couplings, flanged, plain pipe and 'quick-clamp' FDA approved couplings
- Position indication
- Full range of surface finishes available, internally and externally
- Constant through bore section (see 'Pipe Selector' Dimensions table)
- 18 Month warranty
- Backed up by 60 years collective applications experience



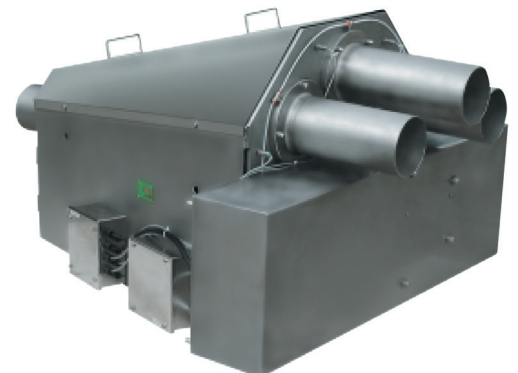
Rota Val 'Pipe Selector' Diverter Valve showing the internal structure of the through-bore single pipe



Rota Val Two-way 'Pipe Selector' Diverter Valve with double outer fixed pipe ends

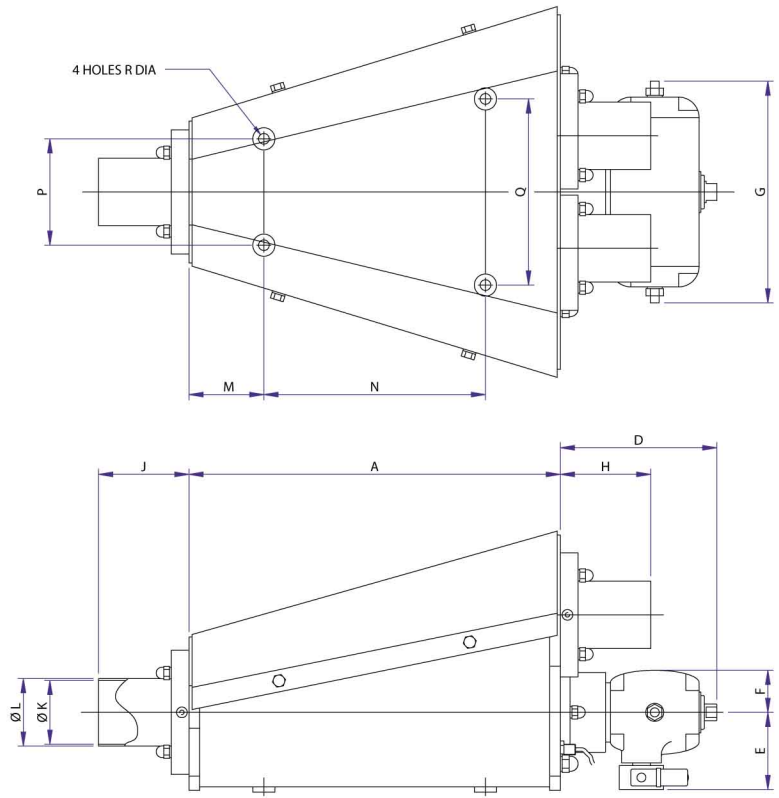
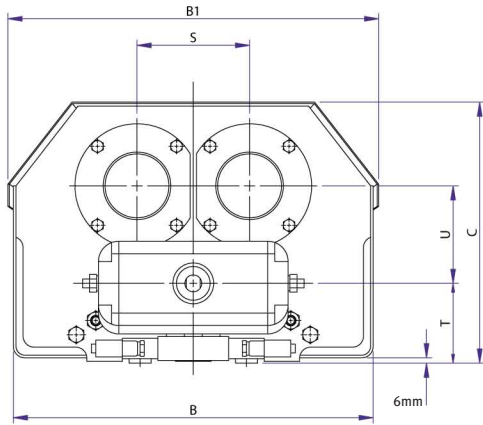


Rota Val PS Two-way 'Pipe Selector' Diverter Valve with flanged pipe connections



Rota Val PS Three-way 'Pipe Selector' Diverter Valve

# Specifications



## PS 'Pipe Selector' Diverter Valves - Dimensions/mm (Approximate)

VALVE TYPE	A	B	B1	C	D	E	F	G	H	J	K	L	M	N	P	Q	R	S	T	U	Kgs
PS50	419	406	418	294	177	87	48	250	102	102	46.6	50.8	85	250	120	120	12	127	90	110	40
PS65	419	406	418	294	177	87	48	250	102	102	59.3	63.5	85	250	120	120	12	127	90	110	40
PS80	419	406	418	294	177	87	48	250	102	102	72.0	76.2	85	250	120	120	12	127	90	110	42
PS90	476	434	443	333	177	87	48	250	122	122	82.8	88.9	115	250	120	260	12	140	102	121	45
PS100	476	434	443	333	193	93	55	296	122	122	95.5	101.6	115	250	120	260	12	140	102	121	48
PS115	586	500	509	373	193	93	55	296	122	122	108.2	114.3	122	350	150	350	12	162	110	140.3	66
PS125	970	790	800	545	218	93	63	342	142	142	134.5	141.3	150	670	250	600	14	270	142	233.8	170
PS150	970	805	815	567	218	107	63	342	200	200	162	168.3	150	670	250	600	14	270	157	233.8	180

Materials of construction and/or alternative valve features may alter some of the stated dimensions. This information is therefore to be used for guidance only. Use certified drawings for planning-in. These will be issued against an order. These valves must not be considered as load-bearing without prior consultation.

## 'Pipe Selector' Dimensions

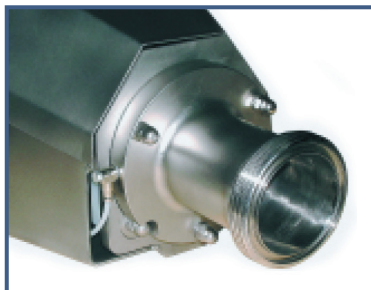
PIPE SELECTOR	PS50	PS65	PS80	PS90	PS100	PS115	PS125	PS150
Internal Pipe Dimensions (Fixed)	50.8 O/D 46.6 I/D	63.5 O/D 59.3 I/D	76.2 O/D 72.0 I/D	88.9 O/D 82.8 I/D	101.6 O/D 95.5 I/D	114.3 O/D 108 I/D	141.3 O/D 134.5 I/D	168.3 O/D 162 I/D
* Pipe Ends Minimum I/D	40mm	54mm	65mm	80mm	90mm	100mm	114mm	140mm
* Pipe Ends Maximum I/D	54mm	65mm	80mm	90mm	108mm	125mm	150mm	180mm
* Pipe Ends Maximum O/D	60mm	71mm	86mm	96mm	114mm	131mm	158mm	190mm
Valve Selection for ISO Pipe	DN45	DN50	DN65	DN80	-	DN100	DN125	DN150
Valve Selection for NB sched 10	1½NB	2NB	2½NB	3NB	3½NB	4NB	5NB	6NB
Valve Selection for Metric/DIN Pipe	DIN50	-	DIN65	DIN80	DIN100	-	DIN125	DIN150

\* Note: Minimum and maximum dimensions represent manufacturing limits. Actual permitted cross sectional change will be determined by material characteristics and type of pneumatic conveying system.

# Rota Val's 'Pipe Selector' Diverter Valves Range of Applications and ATEX Certification

All Rota Val products are designed to increase productivity and enhance reliability on site. We design and manufacture an extensive range of 'Pipe Selector' Diverter valves to suit all bulk solids handling industries. Our range of 'Pipe Selector' Diverter Valves are supplied in a wide selection of materials to suit most applications with sizes covering 50mm to 150mm.

Whether you need value for money valves for process, petro-chemical or general industry use, we have the perfect solutions for you. All Rota Val products are ATEX Certified under EU Declaration of Conformity.



Optional FDA approved PS 'Pipe Selector' couplings



PS 'Pipe Selector' Inflatable seals

## Range of Applications

- Dairy
- Food
- General Industry
- Pharmaceutical
- Process and Petro-Chemical

## ATEX Certification

### Equipment

Internal Category: 2D, 3D, Non Hazardous  
External Category: 2D, 3D, 2G, 3G, 2GD, 3GD, Non Hazardous  
Sizes: 50mm to 150mm  
Notified Body Certificate No: Baseef14ATEX0061X  
Certification supplied with EACH valve: Rota Val EU Declaration of Conformity

### Equipment

Internal Category: 2D, 3D, Non Hazardous  
External Category: 2D, 3D, 2G, 3G, 2GD, 3GD, Non Hazardous  
Sizes: 20mm to 150mm  
Certification supplied with EACH valve: Rota Val EU Declaration of Conformity



Quick disassembly of 'Pipe Selector' Diverter Valves for ease of cleaning



**Rota Val Ltd.**, Bumpers Way,  
Bumpers Farm Industrial Estate,  
Chippenham, Wiltshire SN14 6LH

T: +44 (0) 1249 651138  
E: sales@rotaval.co.uk

Made in Britain



[www.rotaval.co.uk](http://www.rotaval.co.uk)

# RotaVal

Keeping the World's Industries Solidly in Control